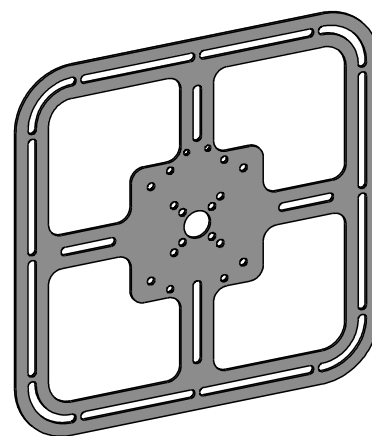
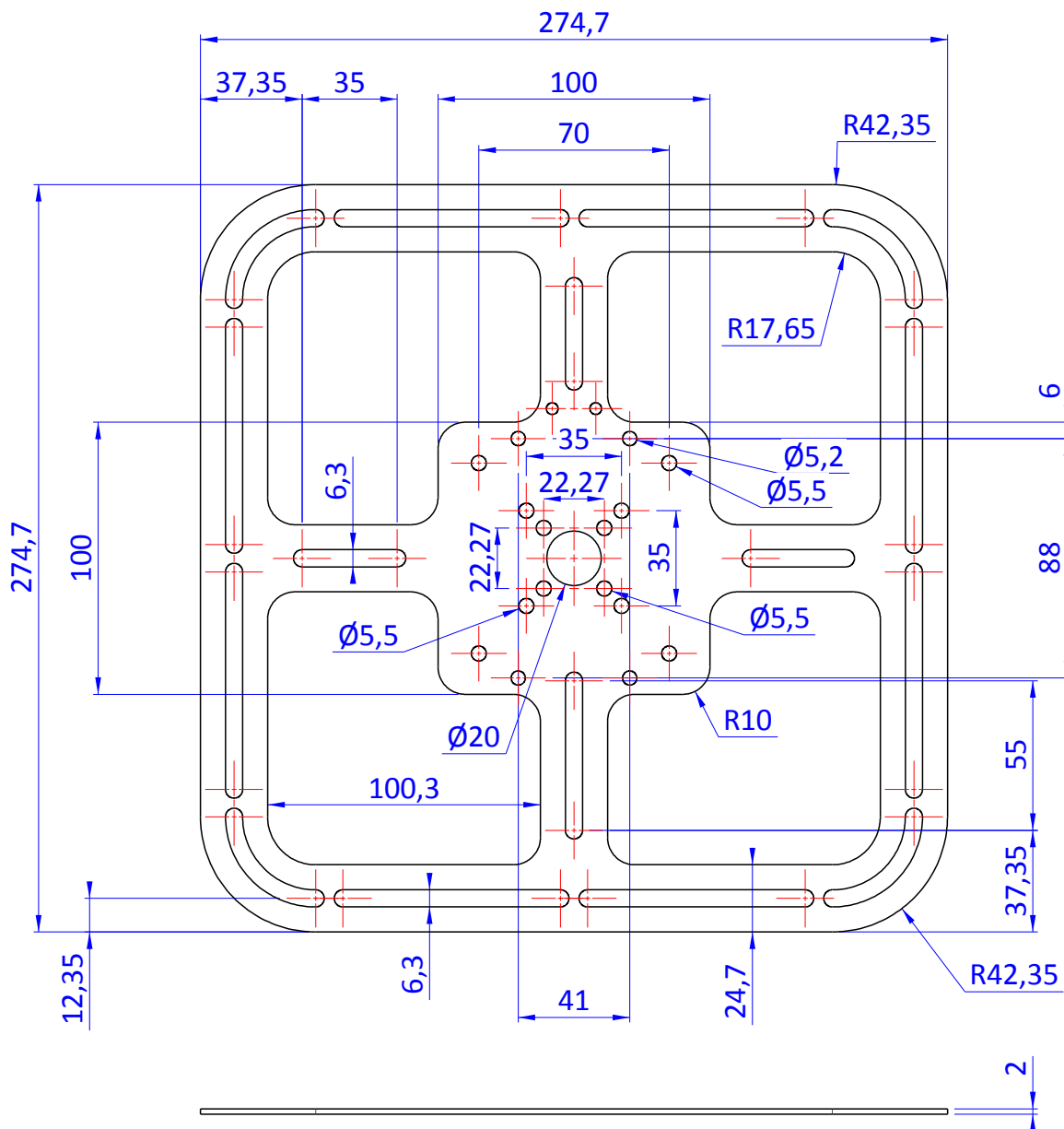

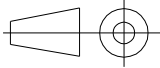


A	30/07/2019	Minarini	Aggiornamento Tavola
Indice	Data	Autore	Commento



THE PROPERTY OF THE DRAWING IS ESTABLISHED BY LAW. IT IS FORBIDDEN TO PRODUCE OR SHOW IT TO THIRD PART WITHOUT A WRITTEN AGREEMENT.

Format A4 UNI 936-76	 FPS FPSERVICES AUTOMATION			DESIGNED FROM FPS Automation	REVIEW A	SCALA 1 : 5
	GENERAL TOLERANCE UNI - ISO 2768 CLASSE f	MATERIALE INOX		DATE 10/11/2017	WEIGHT 0,516kg	
TRATTAMENTO			CODE PIA.275X275X2			